



Commercial fuel installations and pump maintenance
Facilities and plant engineering
Dangerous Goods storage consultants

Petrolink Pty Ltd

ABN 35 002 864 002

22 Peachtree Road, Penrith NSW 2750

Ph: 02 4722 9775

Fax: 02 4722 9774

Email: petrolink@pnc.com.au

Store-Safe
Unit 4 Lords Road
Leichhardt
NSW 2040

6/12/04

Att:- The Managing Director
Mr Grant Breeze

Dear Sir,

I have checked the drawings you have supplied in relation to the range of Outside Flammable Stores (OFS and OFP) that your company manufactures and have noted the amendments made to the natural ventilation louvers as recommended in my previous correspondence.

In my opinion the OFS and OFP range of Outside Flammable Stores comply with the requirements of The Dangerous Goods Act 1975 and Section 4 of the recently revised AS1940-2004.

I draw your attention to operational requirements in Sections 9, 10 and 11 and advise that you should make prospective purchasers aware of their responsibilities as owners of such stores.

Yours faithfully

Barry Bone (AMS Grad.) AIDGC
Director
Accredited Dangerous Goods Consultant

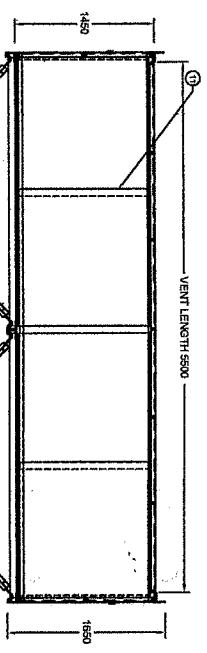
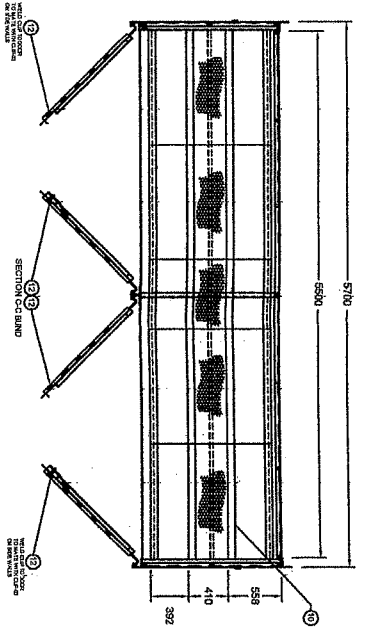
PS.

During the Christmas bush-fires of 2002, I witnessed, first hand, the performance of 3 of your stores as fires swept through the Warragamba Dam stores area. Apart from external paint damage and minor wall buckling that did not affect their integrity, the OFS stores withstood the heat radiation from the fires extremely well.

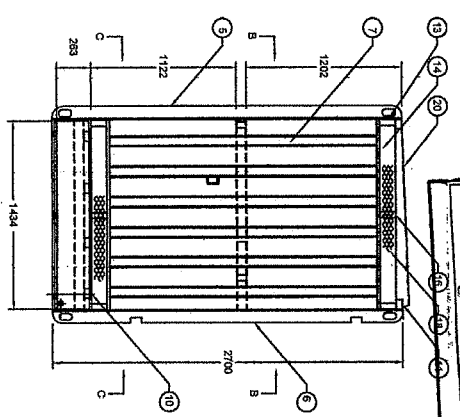
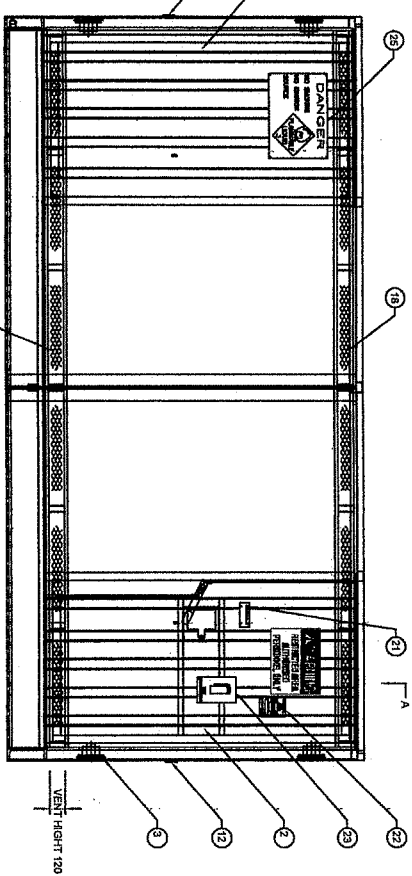
Notice of Confidential Information

The information contained in this document is CONFIDENTIAL, and is intended only for the person or Company as addressed. Copying, Distribution or Review of this document is prohibited.

REF	MODEL	CAPACITY (L)	BUND VOL (L)	VENT AREA (M ²)	LENGTH (mm)	BUND DIMENSIONS
1	OFS-P4	2590	1890	4 x 0.15	2990	2700 x 1454 x 283
2	OFS-P4B	4920	3580	4 x 0.15 & 2 x 0.49	4320	4140 x 1454 x 283
3	OFS-P4B	6920	5000	4 x 0.15 & 2 x 0.85	5700	5500 x 1454 x 283
4	OFS-P10	6200	2900	4 x 0.15 & 2 x 0.85	7170	6970 x 1454 x 283
5	OFS-P12	9840	5100	4 x 0.15 & 2 x 1.00	8590	8350 x 1454 x 283



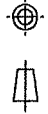
CENTER DOORS NOT SHOWN



Depot (Title) OFS + OFP Stores
 for (Quantity) various and PG 11 to 111
 of DG Class 3
 as shown in this plan
 conforms with the Dangerous Goods Act 1975
 and Australian Standard(s) AS 1944 2004

Signature: [Signature] Date: 6.12.04
 Name (printed): B.H. Bone

DO NOT SCALE



TOLERANCES UNLESS OTHERWISE STATED
 OTHERWISE STATED
 SIZE RANGE TOLERANCE

UNLESS OTHERWISE STATED
 DIMENSIONS ARE IN mm
 ENGINEERING DRAWING PRACTICE AS 1100

STORE-SAFE™
 GENERAL ARRANGEMENT
 8 PALLET OUTDOOR FLAMMABLE LIQUID STORE

ISSUE	DATE	SECT	INCREASED VENT SIZES	REVISION	CHK'D	TAC
1	02/12/2004					

SIZE RANGE	TOLERANCE
0 - 6	0.2
6 - 50	0.5
50 - 120	0.7
120 - 300	1
300	4

MATERIAL & SPEC	FINISH

DRAWN	T. KOLLOFF	23/11/2004
CHECKED		
APPROVED		
PASSED		
SCALE		
REF	AS1940-2004	

DRAWING N°	SHEET SIZE
OFS-P2.DWG	A1